

1-085.01 Safety Quarter-Turn Pr20.1 L18

Tool operable, IP 65, Vibration resistant, Low profile

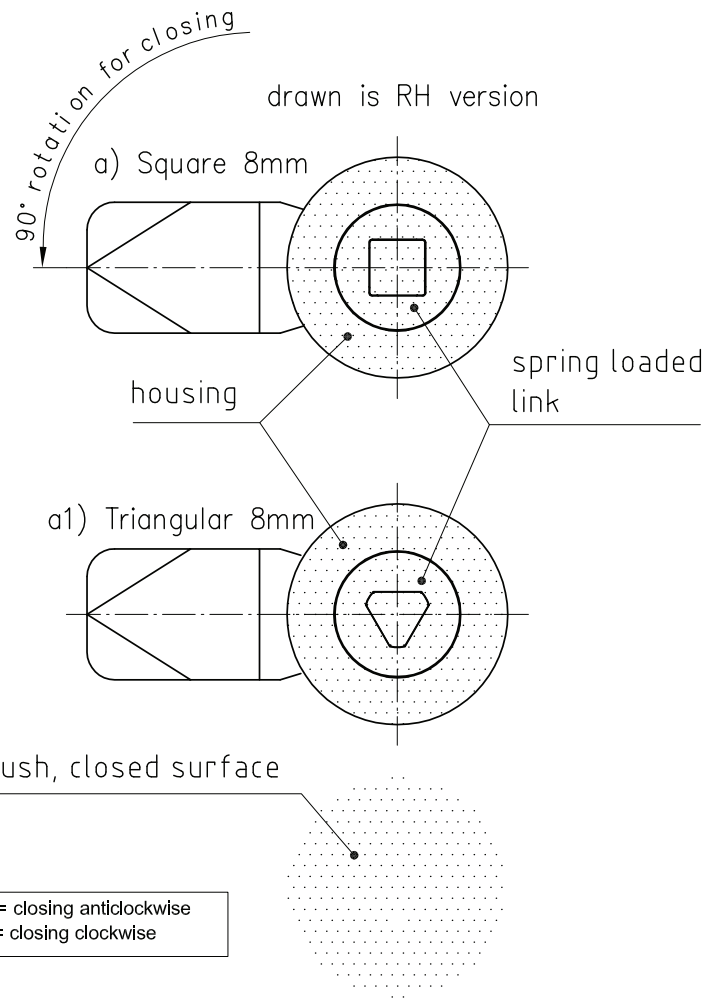
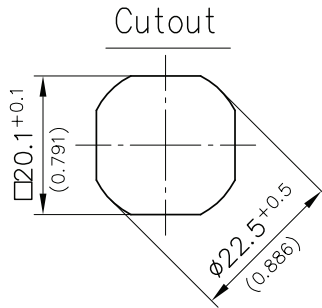
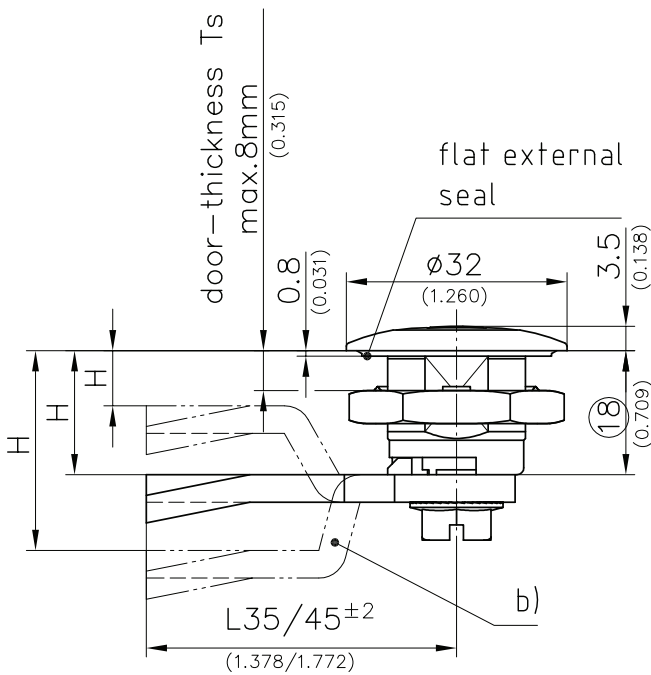
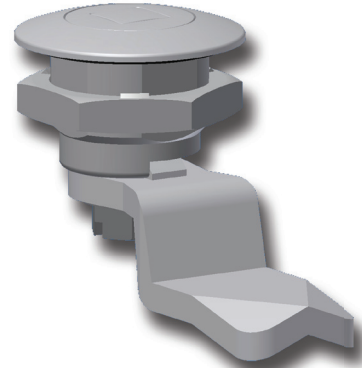


Product Notes:

- Low profile
- RH and LH application
- Vibration resistant
- Water- and dust-tight according to IP65, DIN EN 60529
- Pre-assembled Quarter-Turn can be installed in cutout
- Grounding achieved with grounding nut
- **Flush top surface design**
- Other screw-on - see Product System 1-085
- Tool-less installation - see Product System 1-085SL
- Stainless steel - see Product System 7-074 and 7-075

Material:

- **Housing, insert and spring loaded link:** Zinc Die, Matt Chrome Plated
- **O-Ring and flat external seal:** NBR, Perbunan, Black
- **Grounding nut:** Zinc Die, Natural
- **Cam:** Steel, Zinc Plated



RH = closing anticlockwise
LH = closing clockwise

Safety Quarter-Turn completely assembled and sealed (IP65), but without cam	Part No.	see Page
a) Square 8mm RH/LH	255-9813	
a1) Triangular 8mm LH/RH	255-9814	
Keys for inserts		10.18
b) Cam steel, zinc plated (on request parts can assembled)		01.101
b1) Special cams		01.102

Optional: Assembling

200-0001